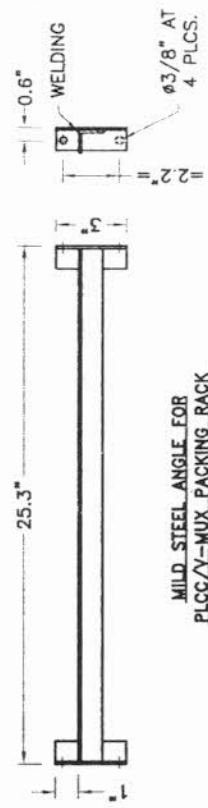


SHEET 1 OF 1
ISSUE
1 08-07-2008
SIZE OF WB03
BOX CHANGED
2 12-08-2008
SIZE OF WB01
BOX & MS
ANGLE CHANGED
3 24-10-2008



MILD STEEL ANGLE FOR PLCC/V-MUX PACKING RACK  
 MATERIAL : MS ANGLE 1"x1/8"  
 FINISH : PAINTED WITH RED OXIDE

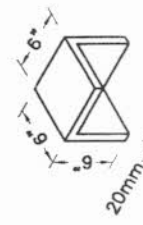
**MATERIAL:**

1. WOOD : CHIR/PARTAL OF CLASS B
2. PLY WOOD : B CLASS PLY WOOD OF 6mm THICKNESS.
3. LAMINATED PAPER : HDPE LAMINATED FOR WATER PROOFING WITH PAPER BACK OF 120 GSM
4. NAILS : MILD STEEL NAILS OF 12/14 GAUGE OF 2"/2.5" LENGTH

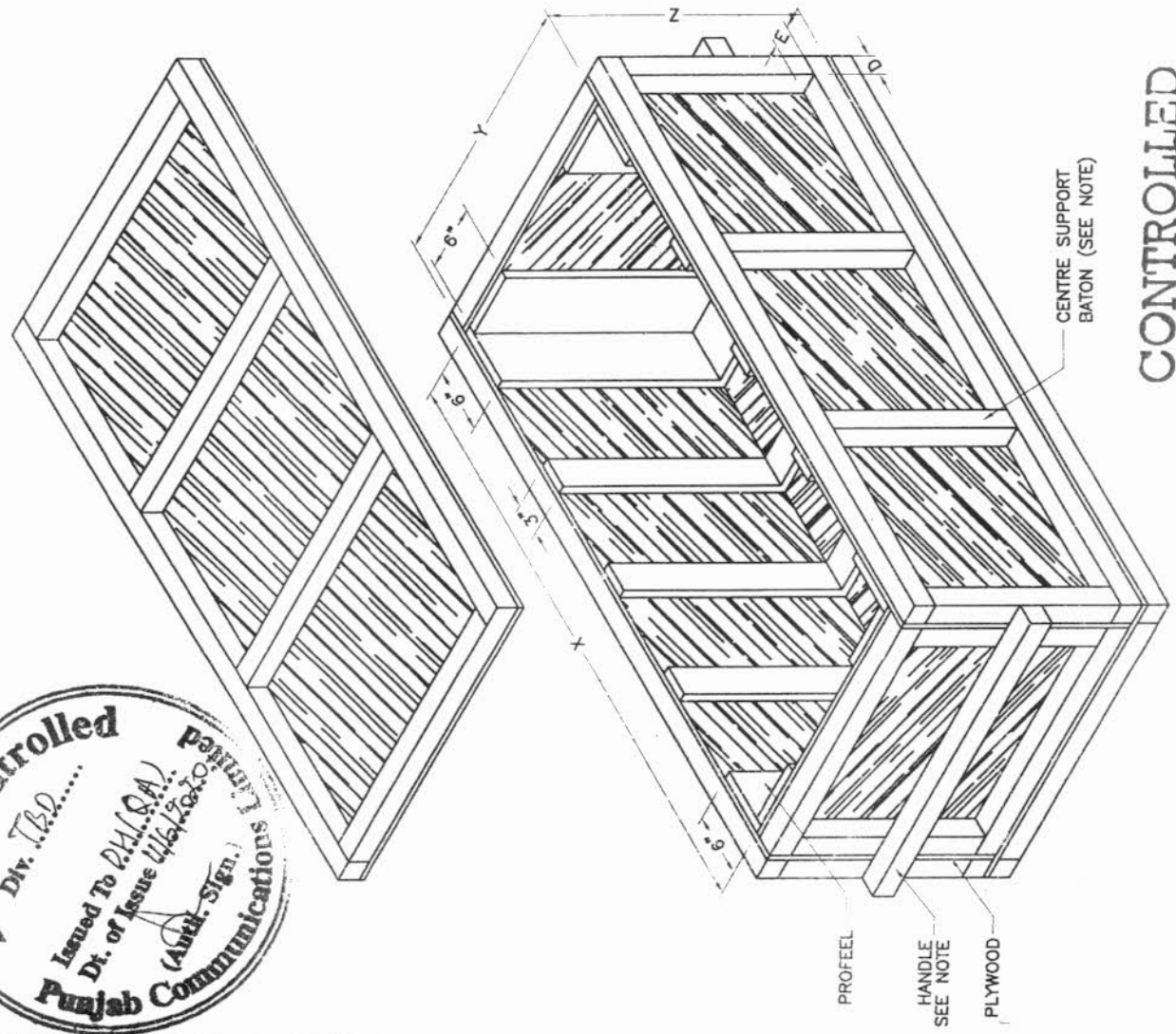
**NOTE:**

1. CENTRE SUPPORT BATONS & HANDLE SHOWN IN THE FIGURE ARE TO BE MADE IN WOODEN BOX FOR RACK CODE WB01 ONLY
2. TWO CENTRE SUPPORT BATONS ARE FIXED EQUALLY SPACED ON ALL FOUR FACES ALONG LENGTH FOR RACK WB01 ONLY (TOTAL QTY. 8).
3. PROFEEL LENGTHS GIVEN AGAINST WB01 BOX IS TO BE PASTED WITH WOODEN PACKING BOX WB01 AS SHOWN IN DRAWING.
4. MILD STEEL ANGLE AS SHOWN ARE TO BE SUPPLIED ALONG WITH THE WOODEN PACKING BOX FOR RACK CODE WB01 (QTY. 3 NOS.)
5. INNER SIDES OF BOX & COVER ARE TO BE LAMINATED USING HDPE LAMINATED PAPER FOR WATER PROOFING.
6. PROFEEL CORNERS 6"x6"x6" OF 20mm THICK SHEET (AS SHOWN) ARE TO BE USED ON ALL 8 CORNERS OF RACK WB01.

BOX CODE	DESCRIPTION	INNER BOX DIMENSIONS	X	Y	Z	D	E	LENGTH	WIDTH	TH (mm)	PARFEEL DIMENSIONS TOTAL USED IN PCS.
WB07	WOODEN PACKING BOX FOR P. PLANT RACK 26"x26"x33"	26"	26"	33"	2"	1"	1"	33"	2"	1"	CORNER 6"x6"x6" OF 20mm TH. PERFEEL QTY. 3 Nos.
WB06	WOODEN PACKING BOX FOR NEW VMUX SHELF 21"x15"x13"	21"	13"	13"	2"	5/8"	5/8"	13"	2"	5/8"	
WB05	WOODEN PACKING BOX FOR OLD VMUX SHELF 23"x18"x14"	23"	18"	14"	2"	5/8"	5/8"	14"	2"	5/8"	
WB04	WOODEN PACKING BOX FOR COMPUTER 42"x22"x15.5"	42"	22"	15.5"	2"	3/4"	3/4"	15.5"	2"	3/4"	
WB03	WOODEN PACKING BOX FOR COUP/PP MOD. 20"x13.5"x13"	20"	13.5"	13"	2"	5/8"	5/8"	13"	2"	5/8"	
WB02	WOODEN PACKING BOX FOR CARDS 25"x21"x14.5"	25"	21"	14.5"	2"	5/8"	5/8"	14.5"	2"	5/8"	
WB01	WOODEN PACKING BOX FOR RACK WITH MS ANGLE 88.2"x25.5"x25"	88.2"	25.5"	25"	2"	1"	1"	25.5"	2"	1"	20mm 234" 3" 20mm



PROFEEL CORNER FOR POWER PLANT RACK

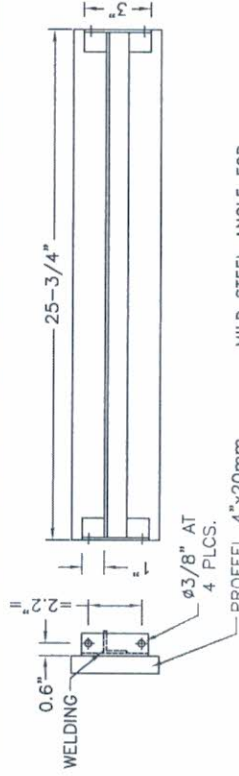


	Punjab Communications Limited		USED IN	PACKING	SIGNATURE	DATE
	DR-APPD	CHECKED	DR-APPD	CHECKED	[Signature]	[Date]
	DH	APPD	DH	APPD	[Signature]	[Date]
	TOL	±0.5	TOL	±0.5	[Signature]	[Date]
TITLE:-		WOODEN PACKING BOX		SCALE		K.T.S
DRG No.	2389	DRG No.	MZZXXX238903A2	DIM IN INCH		SIZE -A4



MATERIAL	FINISH	SPEC.	SPEC.

SHEET 1 OF 1
ISSUE
1 12-10-2009
BATON QTY-12
WERE 8 AND
PROFEEL 30mm,
25mm WAS 20mm
2 30-05-2011
LENGTH-WIDTH
INCREASED
PROFEEL 25mm ON
Y FACE WAS 30mm
3 06-07-2011
MATERIAL SPEC
UPDATED
4 16-07-2020



MILD STEEL ANGLE FOR  
PLCC NEW PACKING RACK  
MATERIAL : MS ANGLE 1"x1/8"  
FINISH : PAINTED WITH RED OXIDE

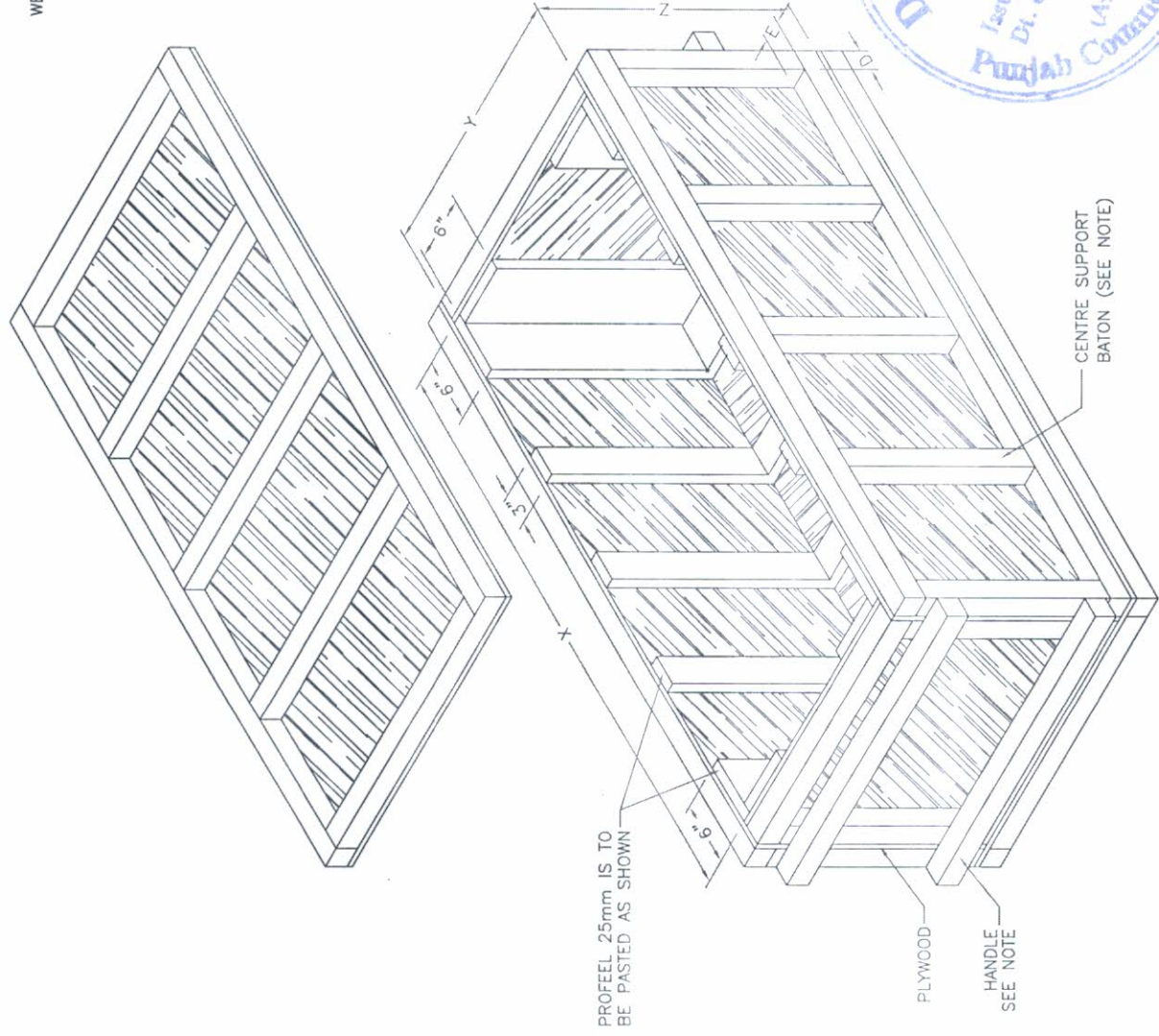
**CONTROLLED**

**MATERIAL:**

1. WOOD : CHIR/PARTAL OF CLASS B
2. PLY WOOD : B CLASS PLY WOOD 6mm UNDERSIZE (MINIMUM TH. 5mm). PLYWOOD THICKNESS BELOW 5mm IS NOT ACCEPTABLE,
3. LAMINATED PAPER : HDPE LAMINATED 50GSM FOR WATER PROOFING WITH PAPER BACK OF 120 GSM (TOTAL 170 GSM)
4. NAILS : MILD STEEL NAILS OF 12/14 GAUGE OF 2"/2.5" LENGTH

**NOTE:**

1. CENTRE SUPPORT BATONS & HANDLE ARE TO BE MADE AS SHOWN IN DRAWING.
2. THREE CENTRE SUPPORT BATONS ARE FIXED EQUALLY SPACED ON ALL FOUR FACES ALONG LENGTH (TOTAL QTY. 12).
3. INNER SIDES OF BOX & COVER ARE TO BE LAMINATED USING HDPE LAMINATED PAPER FOR WATER PROOFING.
4. MILD STEEL ANGLE AS SHOWN ARE TO BE SUPPLIED ALONG WITH THE WOODEN PACKING BOX (QTY. 3 NOS.)
5. MILD STEEL ANGLE SHOULD BE DULY PASTED WITH PROFEEL 4"x20mm ON LOWER SIDE UP TO FULL LENGTH OF ANGLE.
6. PROFEEL LENGTHS GIVEN IS TO BE PASTED WITH WOODEN PACKING BOX AS SHOWN IN DRAWING.



WOODEN PACKING BOX FOR PLCC NEW RACK WITH MS ANGLE 77-3/4"x25-3/4"x25"	X	Y	Z	D	E	LENGTH	WIDTH	TH (mm)
						260"	6"	25mm
						234"	3"	25mm
DESCRIPTION	INNER BOX DIMENSIONS			SUPPORT DIMENSIONS		PROFEEL DIMENSIONS		
	TOTAL USED IN PCS.			TOTAL USED IN PCS.		TOTAL USED IN PCS.		



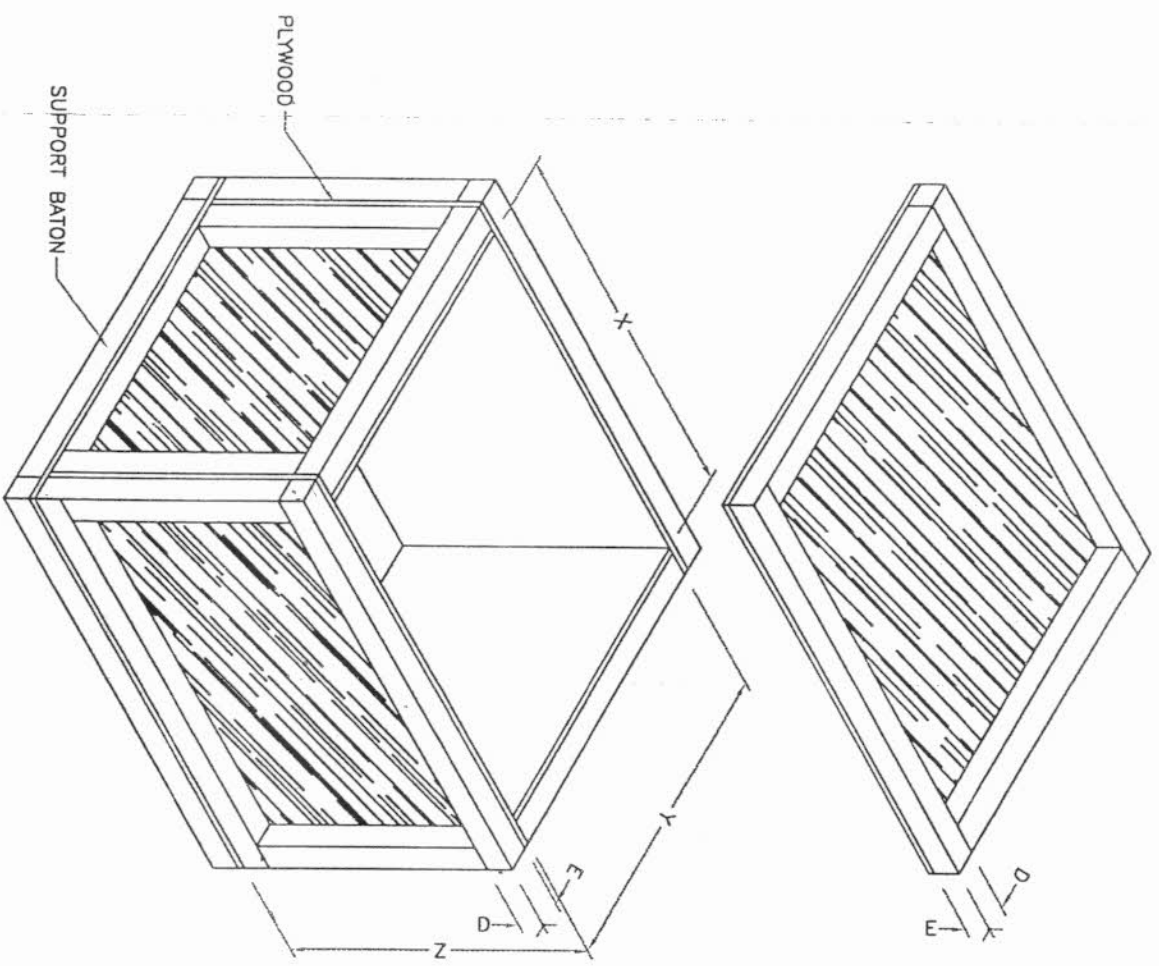
CENTRE SUPPORT  
BATON (SEE NOTE)

PLYWOOD  
HANDLE  
SEE NOTE

USED IN	PACKING
SIGNATURE	DATE
DRAWN	5/7/24
CHECKED	5/7/24
DH	
APPD	
TOL.	
#0.5	
SCALE	N T S
DIM IN INCH	SIZE-A4

**PUNCOM**  
Punjab Communications Limited  
TITLE:- WOODEN PACKING BOX FOR PLCC NEW RACK  
4125 DRG No. MZZXXX412504A2

---	---	---	---
MATERIAL	SPEC.	FINISH	SPEC.



- MATERIAL:**
1. WOOD : CHIR/PARTAL OF CLASS B
  2. PLY WOOD : B CLASS PLY WOOD OF 6mm THICKNESS.
  3. LAMINATED PAPER : HDPE LAMINATED FOR WATER PROOFING WITH PAPER BACK OF 120 GSM
  4. NAILS : MILD STEEL NAILS OF 12/14 GAUGE OF 2"/2.5" LENGTH
- NOTE:**
1. INNER SIDES OF BOX & COVER ARE TO BE LAMINATED USING HDPE LAMINATED PAPER FOR WATER PROOFING.
  2. PROFEEL CORNERS 6"x6" OF 20mm THICK SHEET (AS SHOWN) ARE TO BE USED ON ALL 8 CORNERS OF RACK.

**CONTROLLED**

DESCRIPTION	WOODEN PACKING BOX FOR POWER PLANT 24"x24"x26.75"			
	X	Y	Z	E
INNER BOX DIMENSIONS	24"	24"	26.75"	2"
				1"
SUPPORT BATON				

	USED IN PACKING	SIGNATURE	DATE
	DRAWN	<i>[Signature]</i>	14.11
CHECKED	<i>[Signature]</i>	14.11	
APPD	<i>[Signature]</i>	14.11	
TOL	±0.5		
DIM IN INCH			
SCALE	N.T.S		
SIZE	A4		

TITLE:- WOODEN PACKING BOX FOR POWER PLANT 12U RACK

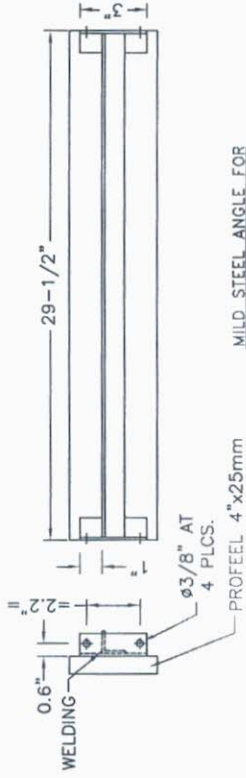
DRG. NO. 4223

MZZXXXX422301A2

MATERIAL: FINISH

SPEC.

SHEET 1 OF 1
ISSUE
1115-02-2011
MATERIAL SPEC
UPDATED
2116-07-2020



MILD STEEL ANGLE FOR  
PLCC NEW PACKING RACK  
MATERIAL : MS ANGLE 1"x1/8"  
FINISH : PAINTED WITH RED OXIDE

**CONTROLLED**

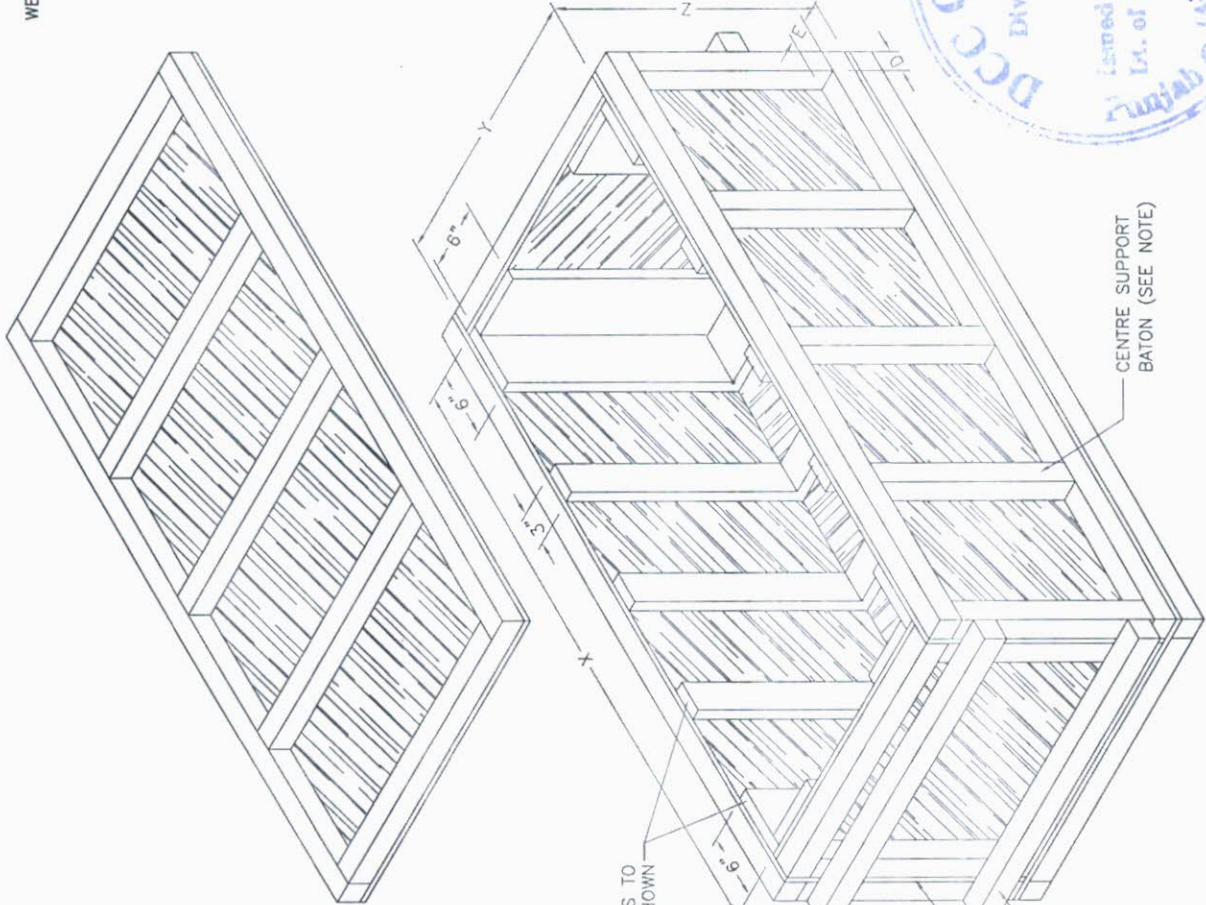
**MATERIAL:**

1. WOOD : CHIR/PARTAL OF CLASS B
2. PLY WOOD : B CLASS PLY WOOD 6mm UNDERSIZE (MINIMUM TH. 5mm). PLYWOOD THICKNESS BELOW 5mm IS NOT ACCEPTABLE,
3. LAMINATED PAPER : HDPE LAMINATED 50GSM FOR WATER PROOFING WITH PAPER BACK OF 120 GSM (TOTAL 170 GSM)
4. NAILS : MILD STEEL NAILS OF 12/14 GAUGE OF 2"/2.5" LENGTH

PROFEEL 25mm IS TO BE PASTED AS SHOWN

**NOTE:**

1. CENTRE SUPPORT BATONS & HANDLE ARE TO BE MADE AS SHOWN IN DRAWING.
2. THREE CENTRE SUPPORT BATONS ARE FIXED EQUALLY SPACED ON ALL FOUR FACES ALONG LENGTH (TOTAL QTY. 12).
3. INNER SIDES OF BOX & COVER ARE TO BE LAMINATED USING HDPE LAMINATED PAPER FOR WATER PROOFING.
4. MILD STEEL ANGLE AS SHOWN ARE TO BE SUPPLIED ALONG WITH THE WOODEN PACKING BOX (QTY. 3 NOS.)
5. MILD STEEL ANGLE SHOULD BE DULY PASTED WITH PROFEEL 4"x25mm ON LOWER SIDE UP TO FULL LENGTH OF ANGLE.
6. PROFEEL LENGTHS GIVEN IS TO BE PASTED WITH WOODEN PACKING BOX AS SHOWN IN DRAWING.



WOODEN PACKING BOX FOR PLCC NEW RACK WITH MS ANGLE 77-3/4"x29-1/2"x22-3/4" 2"	260"	6"	25mm
PLCC NEW RACK WITH MS ANGLE 77-3/4"x29-1/2"x22-3/4"	234"	3"	25mm
DESCRIPTION	X	Y	Z
INNER BOX DIMENSIONS			
SUPPORT DIMENSIONS			
BATON			
PROFEEL DIMENSIONS			
TOTAL USED IN PCS.			

<b>PUNCOM</b>	Punjab Communications Limited		USED IN	PACKING
	DRAWN	SIGNATURE	DATE	
	CHECKED			
	DH			
	APPD			
	TOL.			
	±0.5			
TITLE:-	WOODEN PACKING BOX FOR PLCC NEW RACK			
4186 DRG No.	MZZXXX418602A2			
				SCALE N T S
				DIM IN INCH SIZE-A4

---	---	---	---
MATERIAL	SPEC.	FINISH	SPEC.

SHEET 1 OF 1
ISSUE
1   28-02-2014
CENTER BATON ON BOX AND COVER ADDED
2   03-06-2015
MATERIAL SPEC UPDATED
3   16-07-2020

**CONTROLLED**



PROFEEL CORNER FOR POWER PLANT RACK

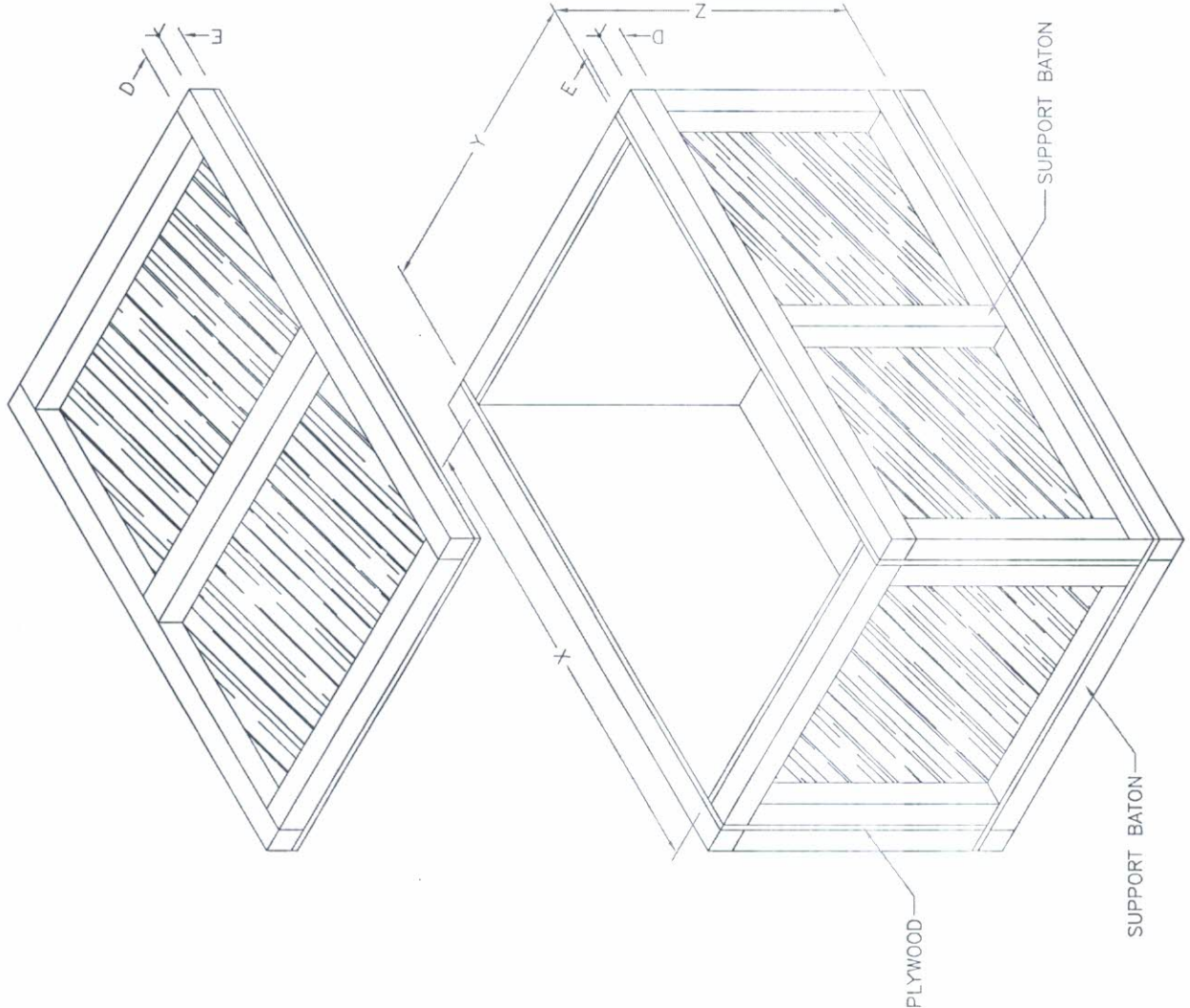


MATERIAL:

1. WOOD : CHIR/PARTIAL OF CLASS B
2. PLY WOOD : B CLASS PLY WOOD 6mm UNDERSIZE (MINIMUM TH. 5mm). PLYWOOD THICKNESS BELOW 5mm IS NOT ACCEPTABLE.
3. LAMINATED PAERER : HDPE LAMINATED 50GSM FOR WATER PROOFING WITH PAPER BACK OF 120 GSM (TOTAL 170 GSM)
4. NAILS : MILD STEEL NAILS OF 12/14 GAUGE OF 2"/2.5" LENGTH

NOTE:

1. INNER SIDES OF BOX & COVER ARE TO BE LAMINATED USING HDPE LAMINATED PAPER FOR WATER PROOFING.
2. PROFEEL CORNERS 6"x6"x6" OF 20mm THICK SHEET (AS SHOWN) ARE TO BE USED SUPPLIED ALONG WITH BOX.
3. CENTRE SUPPORT BATON IS FIXED EQUALLY SPACED ON ALL FOUR FACES ALONG LENGTH (TOTAL QTY. 04).

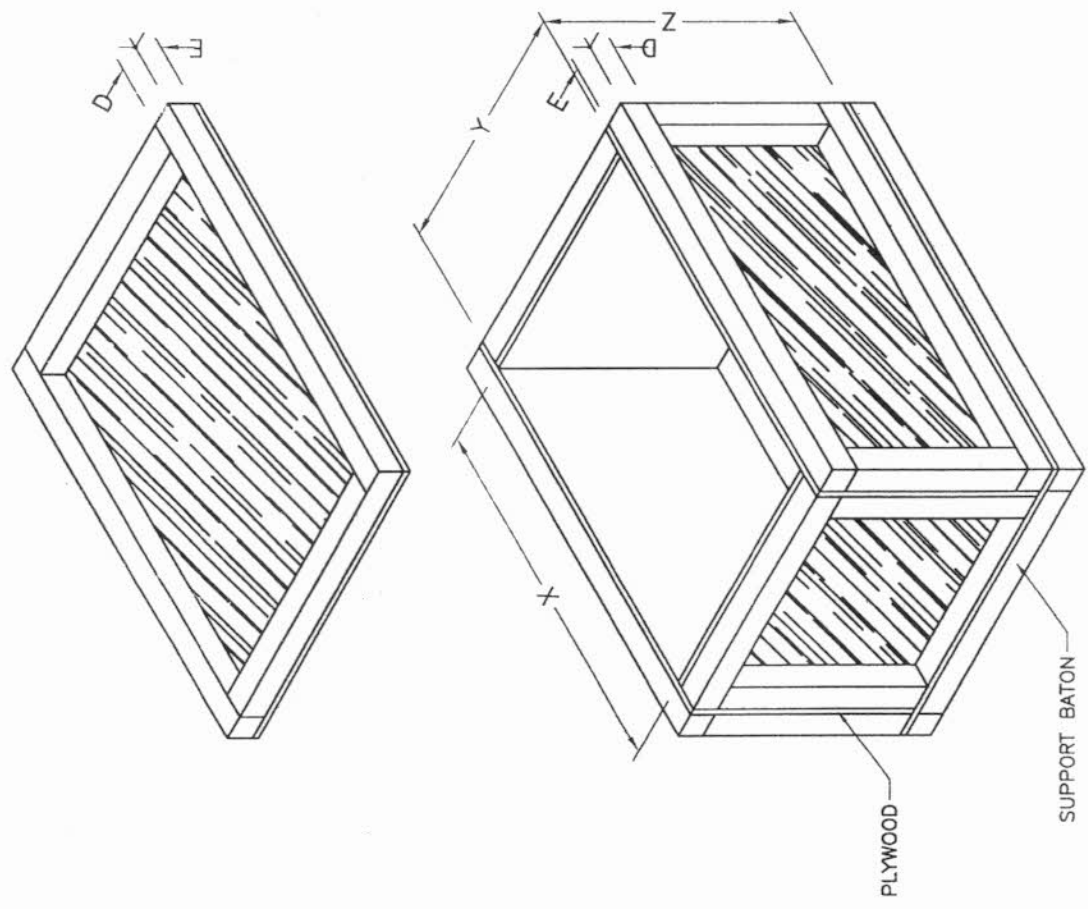


WOODEN PACKING BOX FOR POWER PLANT 47.75"x24"x24"	47.75"	24"	24"	2"	1"
DESCRIPTION	X	Y	Z	D	E
	INNER BOX DIMENSIONS				
SUPPORT BATON					

<b>PUNCOM</b> Punjab Communications limited	USED IN	PACKING
	SIGNATURE	DATE
	DRAWN	DATE
TITLE:- WOODEN PACKING BOX FOR POWER PLANT 22U RACK	CHECKED	DH
	APPD	
	TOL.	±0.5
4234 DRG No.	MZZXXX423403A2	SCALE N T S
		DIM IN INCH SIZE-A4

----	----	----
MATERIAL	SPEC.	FINISH

SHEET 1 OF 1  
 ISSUE  
 1103-01-2017



- MATERIAL:**
1. WOOD : CHIR/PARTAL OF CLASS B
  2. PLY WOOD : B CLASS PLY WOOD OF 6mm THICKNESS.
  3. LAMINATED PAPER : HDPE LAMINATED FOR WATER PROOFING WITH PAPER BACK OF 120 GSM
  4. NAILS : MILD STEEL NAILS OF 12/14 GAUGE OF 2"/2.5" LENGTH
- NOTE:**
1. INNER SIDES OF BOX & COVER ARE TO BE LAMINATED USING HDPE LAMINATED PAPER FOR WATER PROOFING.

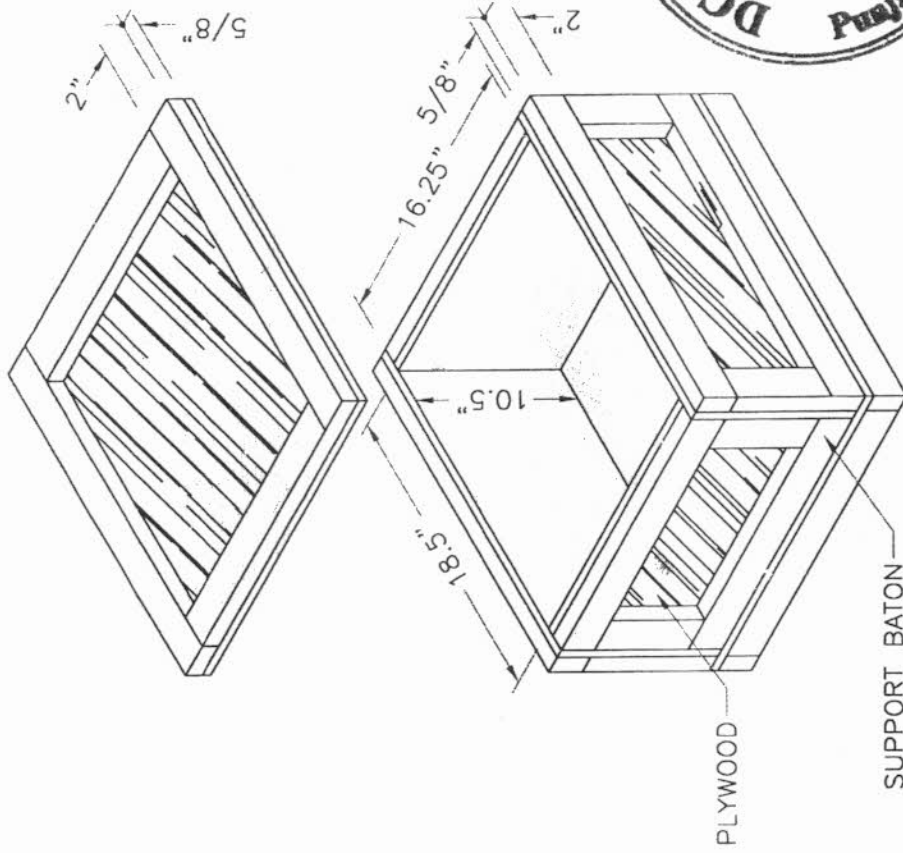
**CONTROLLED**

WOODEN PACKING BOX FOR SMR# OF PP 23"x15.5"x14"	23"	15.5"	14"	2"	1"
	X	Y	Z	D	E
DESCRIPTION	INNER BOX DIMENSIONS				
	SUPPORT BATON				

<b>PUNCOM</b>	Punjab Communications Limited	USED IN	PACKING	SIGNATURE	DATE
		DRAWN	SHYAM		
		CHECKED			
		DH			4-1-17
		APPD			4-1-17
		TOL.	±0.5		SCALE
					N.S.
					DIM IN. INCH
					SIZE

TITLE:-	WOODEN PACKING BOX FOR SMRs OF PP
4297	DRG No. MBXXXX429701A2
	SPEC.
	FINISH
	MATERIAL

SHEET 1 OF 1
ISSUE
1128-11-2016
END SUPPORT
DESIGN UPDATED
2116-03-2020



**MATERIAL:**

- WOOD : CHIR/PARTAL OF CLASS B
- PLY WOOD : B CLASS PLY WOOD OF 6mm THICKNESS.
- LAMINATED PAPER : HDPE LAMINATED FOR WATER PROOFING WITH PAPER BACK OF 120 GSM
- NAILS : MILD STEEL NAILS OF 12/14 GAUGE OF 2"/2.5" LENGTH

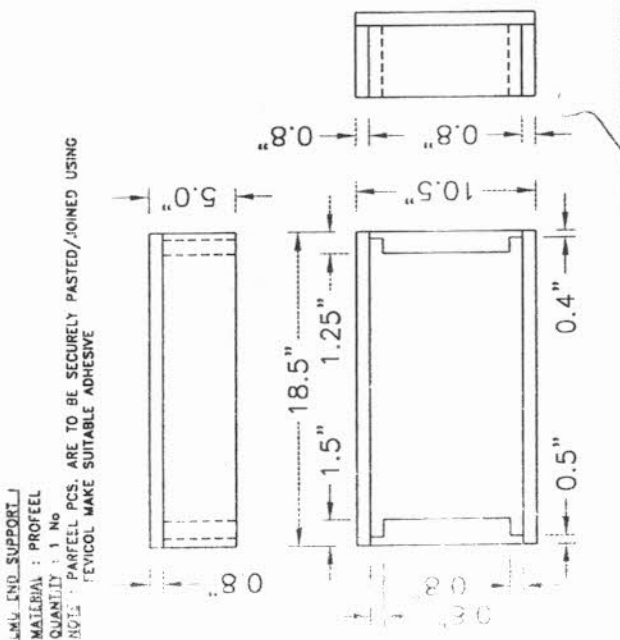
**NOTE:**

- INNER SIDES OF BOX & COVER ARE TO BE LAMINATED USING HDPE LAMINATED PAPER FOR WATER PROOFING.
- LMU END SUPPORT (QTY-01 EACH) IS TO BE SUPPLIED WITH BOX.



**CONTROLLED**

	Punjab Communications Limited	USED IN	PACKING	SIGNATURE	DATE
TITLE:- WOODEN PACKING BOX FOR LMU		DRAWN	CHECKED	DH	APPD
4296	DRG No.	MZZXXX429602A2		TOL	±0.05
	SPEC.			SCALE	1:1
	FINISH			DIM IN INCH	SIZE - M

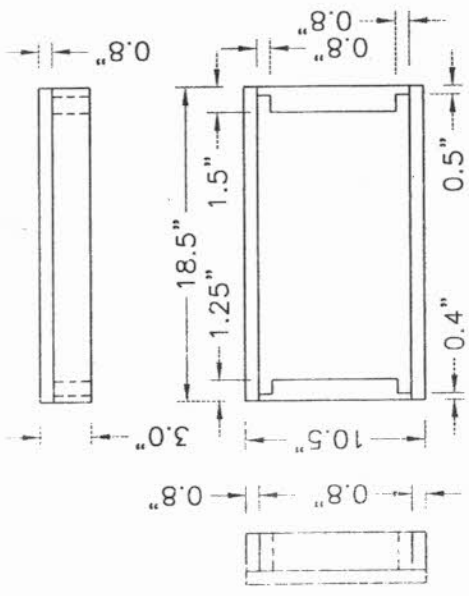


**LMU END SUPPORT**

**MATERIAL :** PROFEEL

**QUANTITY :** 1 No

**NOTE :** PARFEEL PCS. ARE TO BE SECURELY PASTED/JOINED USING FEVICOL MAKE SUITABLE ADHESIVE



**LMU END SUPPORT**

**MATERIAL :** PROFEEL

**QUANTITY :** 1 No

**NOTE :** PARFEEL PCS. ARE TO BE SECURELY PASTED/JOINED USING FEVICOL MAKE SUITABLE ADHESIVE

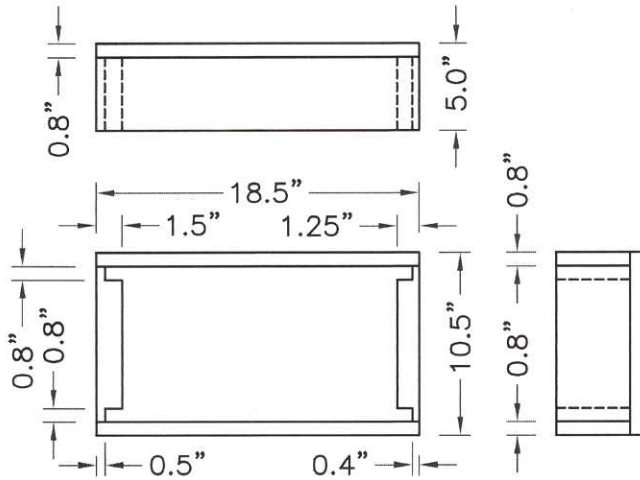
MATERIAL

**LMU END SUPPORT I**

**MATERIAL :** PROFEEL

**QUANTITY :** 1 No

**NOTE :** PARFEEL PCS. ARE TO BE SECURELY PASTED/JOINED USING FEVICOL MAKE SUITABLE ADHESIVE

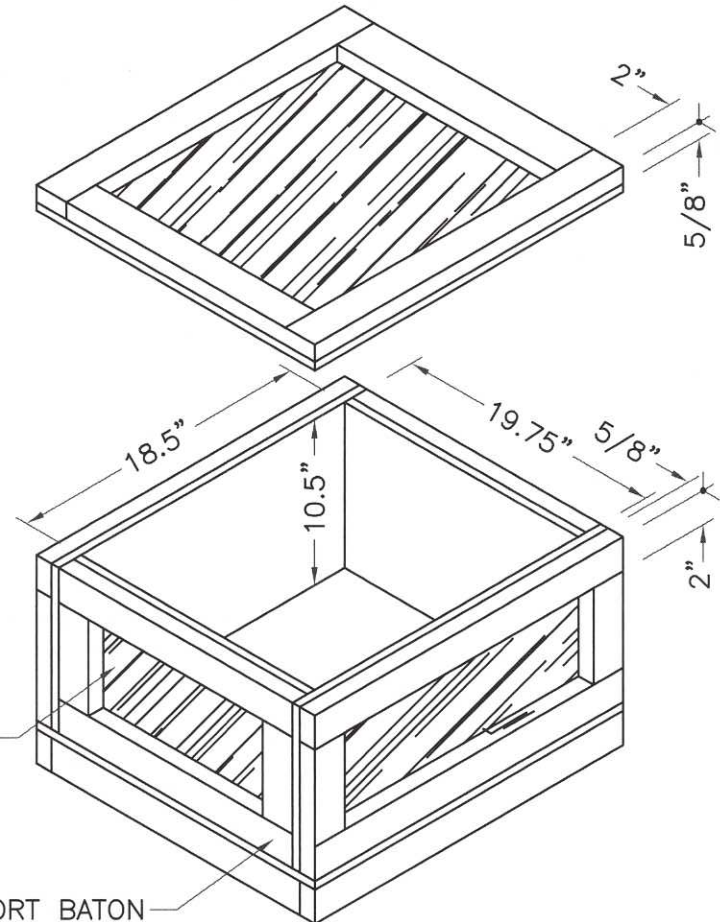
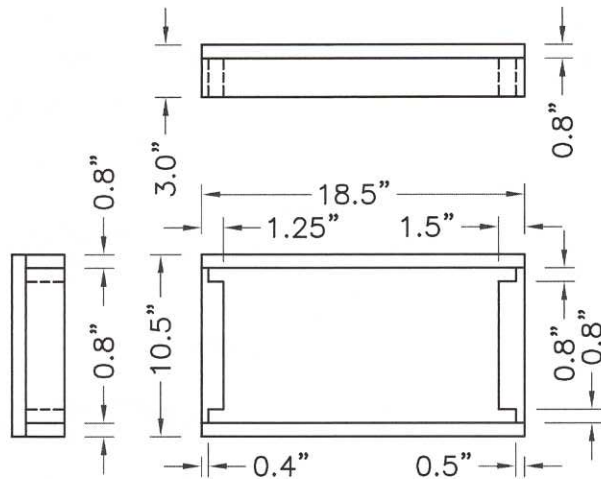


**LMU END SUPPORT II**

**MATERIAL :** PROFEEL

**QUANTITY :** 1 No

**NOTE :** PARFEEL PCS. ARE TO BE SECURELY PASTED/JOINED USING FEVICOL MAKE SUITABLE ADHESIVE



**MATERIAL:**

1. **WOOD :** CHIR/PARTIAL OF CLASS B
2. **PLY WOOD :** B CLASS PLY WOOD OF 6mm THICKNESS.
3. **LAMINATED PAPER :** HDPE LAMINATED FOR WATER PROOFING WITH PAPER BACK OF 120 GSM
4. **NAILS :** MILD STEEL NAILS OF 12/14 GAUGE OF 2"/2.5" LENGTH

**NOTE:**

1. INNER SIDES OF BOX & COVER ARE TO BE LAMINATED USING HDPE LAMINATED PAPER FOR WATER PROOFING.
2. LMU END SUPPORT (QTY-01 EACH) IS TO BE SUPPLIED WITH BOX.

<b>PUNCOM</b>	Punjab Communications Limited	USED IN	PACKING	
		SIGNATURE	DATE	
TITLE:-		DRAWN	27/2/23	
WOODEN PACKING BOX FOR LMU-II		CHECKED	28-2-23	
		DH	28-2-23	
		APPD	28/2/23	
		TOL. ±0.05	SCALE N T S	SIZE-A4
		DIM IN INCH		

----	----	----	----
MATERIAL	SPEC.	FINISH	SPEC.