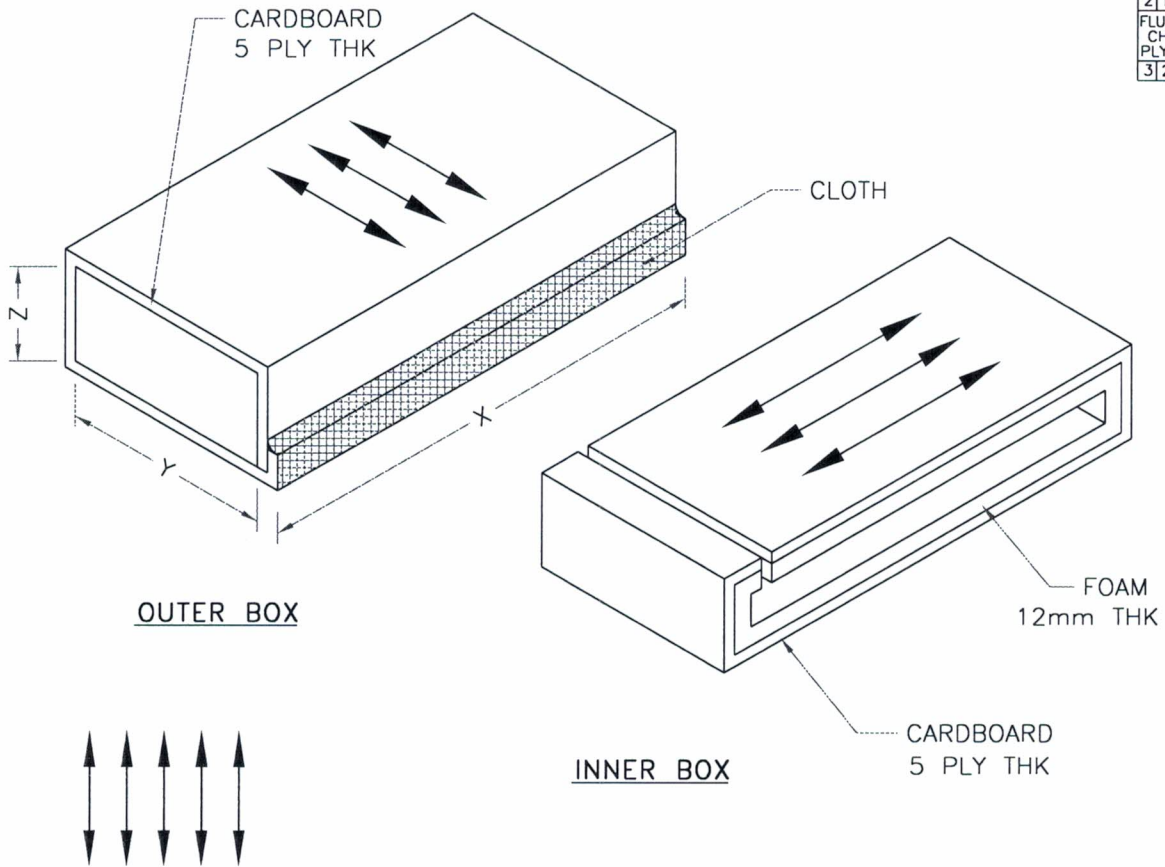


THIS DOCUMENT IS THE PROPERTY OF PUNJAB COMMUNICATIONS LIMITED, B-91, IND. AREA, PHASE-B, S.A.S NAGAR-160059 (INDIA) AND MAY NOT BE COPIED, REPRINTED OR DISCLOSED TO A THIRD PARTY WITHOUT THE WRITTEN CONSENT OF THE PROPRIETORS. REL. ON : 20/04/2005

SHEET 1 OF 1
ISSUE
1 08-07-2008
SIZE OF CB01, CB02 & CB08 CHANGED AND CB03 & CB04 CHANGED TO MC
2 12-08-2008
FLUTE DIRECTIONS CHANGED & 5 PLY WAS 3 PLY
3 24-09-2019



DIRECTION OF FLUTE  
AS PER INDICATED ARROW

BOX NO	DIMENSIONS			USED FOR CARD
	X	Y	Z	
CB01	11"	10.5"	5"	PSU PLCC
CB02	11"	10.5"	2.5	PLCC, PROT. COUPLER, V-MUX CARDS
CB03	--	--	--	--
CB04	--	--	--	--
CB05	10.5"	6"	3"	HYBRID, H-SET, Tx FILTER, L CARD
CB06	13"	11"	3"	PSU OLD V-MUX
CB07	13"	11"	2"	CARDS OLD V-MUX
CB08	12"	8.5"	2.5"	MINICSU POWER PLANT

**MATERIAL:**

- CARDBOARD** : SEMI CRAFT PAPER 100GSM 16+ BF (BURST STRENGTH).
- FOAM** : HIGH DENSITY PU FOAM 12mm THICK, DENSITY 28

**NOTE:**

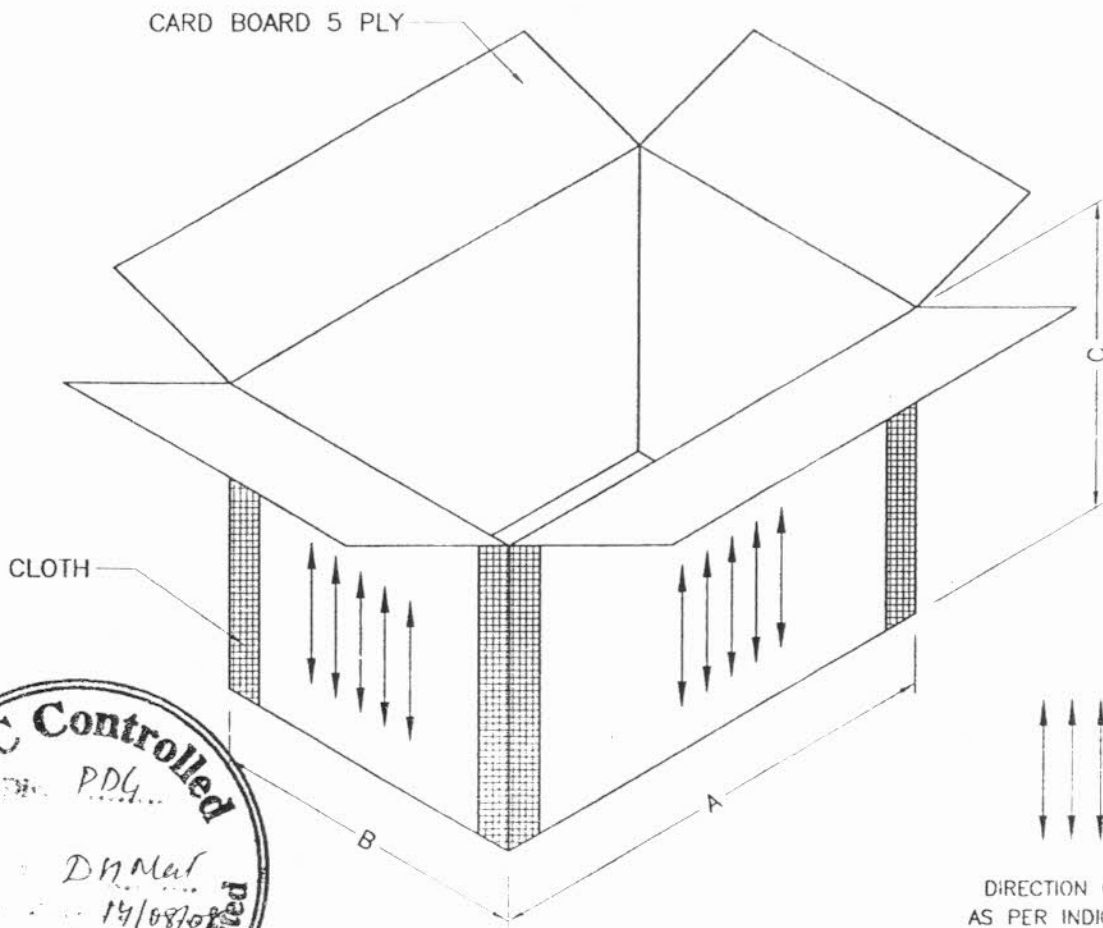
- GIVEN DIMENSIONS OF OUTER BOX ARE AS MEASURED FROM INNER SIDE.
- SIZE OF INNER BOX IS TO BE TAKEN ACCORDING TO THE OUTER BOX SO THAT IT CAN EASILY SLIDE IN TO IT, NEITHER TOO TIGHT NOR TOO LOOSE.
- FOAM IS TO BE SECURELY PASTED INSIDE THE BOX.

<b>PUNCOM</b>	Punjab Communications Limited	USED IN	PACKING	
			SIGNATURE	DATE
		DRAWN	S. K. SINGH	24/9/19
		CHECKED	H	20/9
		DH	S. K. SINGH	24/9/19
		APPD	H	24/9/19
		TOL.	±0.2	SCALE N T S
				DIM IN INCH SIZE-A4

TITLE: --	CARD PACKING BOX		
MATERIAL	SPEC.	FINISH	SPEC.

2391	DRG No.	MZZXXX239103A2
------	---------	----------------

ED, REPRINTED OR DISCLOSED TO A THIRD PARTY WITHOUT THE WRITTEN  
REL. ON : 20/04/2005



DIRECTION OF FLUTE AS PER INDICATE ARROW



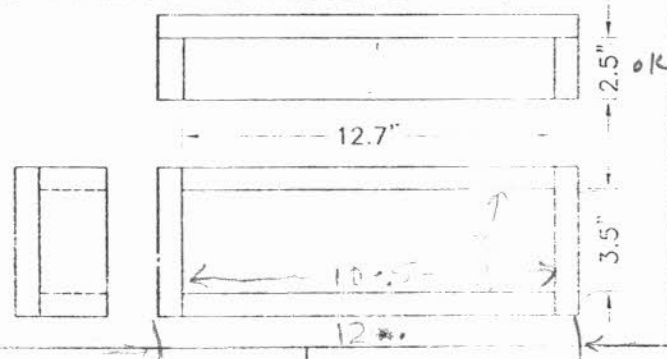
BOX NO	DIMENSIONS			USED IN PROJECT
	A	B	C	
MC01	23.5"	20"	14"	PLCC & V-MUX CARDS
MC02	19.5"	13"	12.5"	PROT. COUPLER
MC03**	20"	12"	12"	V-MUX NEW SHELF
MC04**	19.25"	17.5"	11"	V-MUX OLD SHELF
MC05*	14.3"	12.5"	6"	SMR POWER PLANT
MC06	13"	11"	6"	Tx FILTER
MC07	20.5"	12.5"	3.5"	Rx FILTER

- MATERIAL:**
- CARDBOARD BOX : CLASS A VIRGIN CRAFT PAPER 100GSM
  - FOAM : PU FOAM 12mm THICK OF DENSITY 32

- NOTE:**
- DIMENSIONS GIVEN ARE INNER BOX DIMENSIONS.
  - PUNCOM ADDRESS, HANDLE WITH CARE & FRAGILE SHOULD BE PRINTED ON BOX NOS. MC01 TO MC04 .
  - \*\*MARKED BOXES ARE TO BE SUPPLIED ALONG WITH FOAM PASTED ON INNER SIDES OF BOX & ONE PIECE OF FOAM FOR CUSHIONING FROM TOP IS TO BE SUPPLIED ALONG WITH BOX.
  - \* SMR END SUPPORT SHOWN IN DWG QTY 2 Nos IS TO BE SUPPLIED WITH BOX MC05.

**CONTROLLED**

**SMR END SUPPORT**  
 MATERIAL : PROFEEL 20mm THICK  
 QUANTITY : 2 Nos.  
 NOTE : PARFEEL PCS. ARE TO BE SECURELY PASTED/JOINED



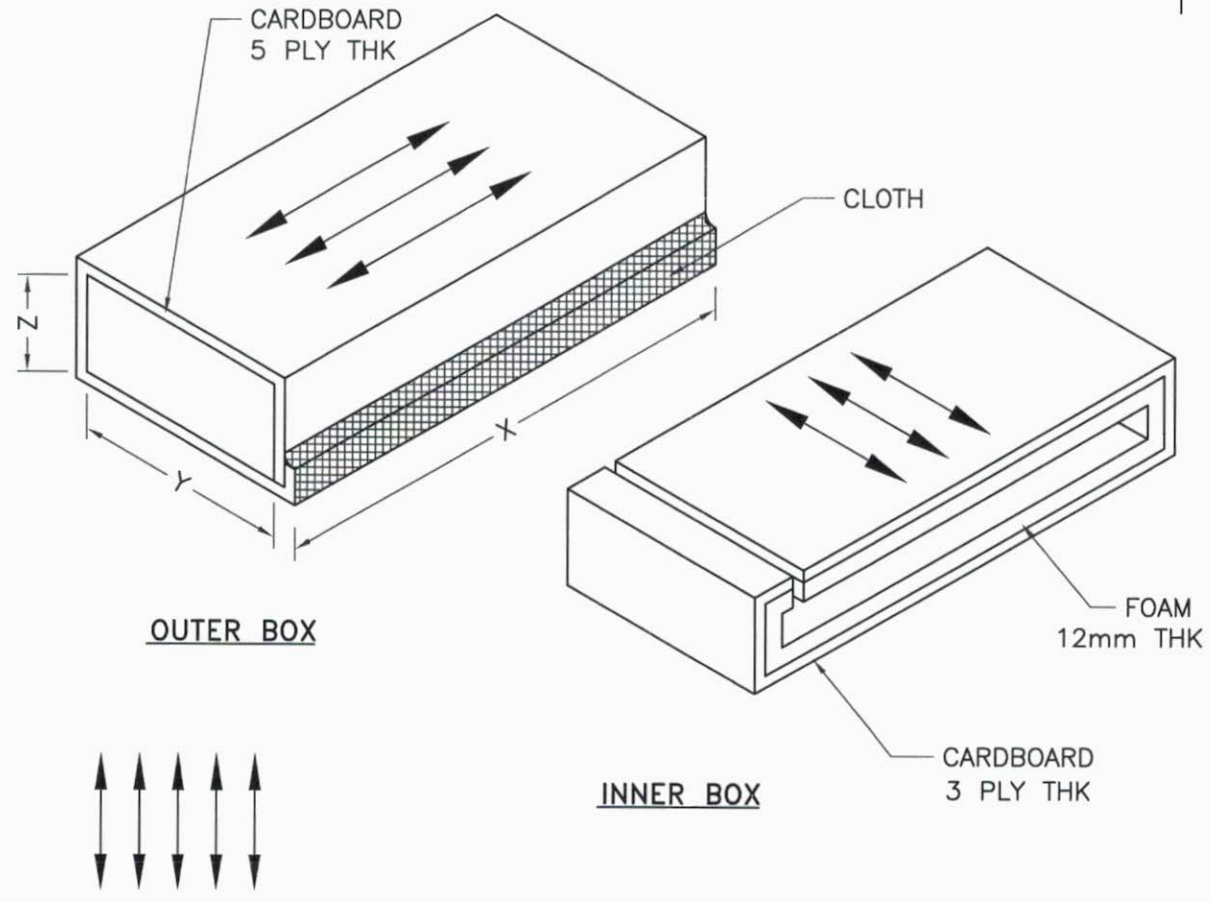
<b>PUNCOM</b>	Punjab Communications Limited		USED IN	PACKING
			SIGNATURE	DATE
			DRAWN	S.H.Y. 08/08
			CHECKED	12/08/08
		DH		
		APPD		
		TOL		SCALE
		A.C.2		N.T.S.
				DIM IN INCH
				SIZE-A4

TITLE:-  
**MASTER CARTON BOX**

MATERIAL	SPEC.	FINISH	SPEC.
2392	DRG No.	M73XXK239202A2	

CONSENT OF THE PROPRIETORS.

THIS DOCUMENT IS THE PROPERTY OF PUNJAB COMMUNICATIONS LIMITED, 1, IND. AREA, PHASE-8, S.A.S NAGAR-160059 (INDIA) AND MAY NOT BE REPRODUCED, REPRINTED OR DISCLOSED TO A THIRD PARTY WITHOUT THE WRITTEN CONSENT OF THE PROPRIETORS. REL ON : 20/04/20



BOX NO	DIMENSIONS			USED FOR CARD
	X	Y	Z	
CB01	11"	10.5"	5"	PSU PLCC
CB02	11"	10.5"	2.5"	PLCC, PROT. COUPLER, V-MUX CARDS

**MATERIAL:**

- CARDBOARD BOX** : CLASS A VIRGIN CRAFT PAPER 150GSM
- FOAM** : PU FOAM 12mm THICK OF DENSITY 32

**NOTE:**

- DIMENSIONS GIVEN ARE INNER BOX DIMENSIONS.
- SIZE OF INNER BOX IS TO BE TAKEN ACCORDING TO THE OUTER BOX SO THAT IT CAN EASILY SLIDE IN TO IT & NOT TOO LOOSE.
- FOAM IS TO BE SECURELY PASTED INSIDE THE BOX.

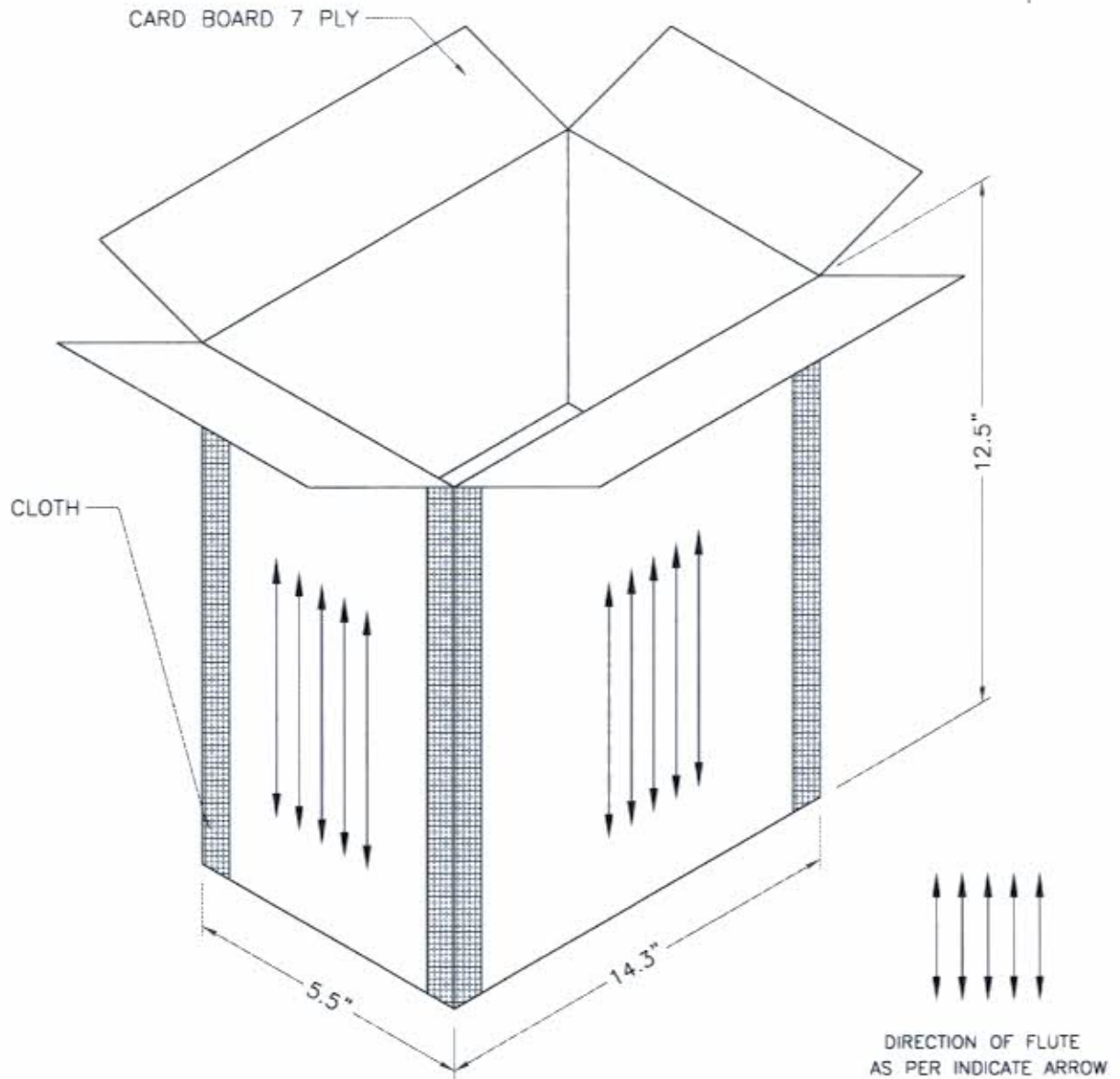
	Punjab Communications Limited	USED IN	RAC	
			SIGNATURE	DATE
TITLE:-		DRAWN	SHYAM	
CARD PACKING BOX (RAC)		CHECKED	Jangeeta	
		DH	24-11-11	
		APPD		
		TOL. ±0.2	SCALE N T S	
			DIM IN INCH SIZE-A4	

MATERIAL	SPEC.	FINISH	SPEC.
---	---	---	---

4184 DRG No. MZZXXX418401A2



THIS DOCUMENT IS THE PROPERTY OF PUNJAB COMMUNICATIONS LIMITED, B-91, IND. AREA, PHASE-B, S.A.S NAGAR-160059 (INDIA) AND MAY NOT BE COPIED, REPRINTED OR DISCLOSED TO A THIRD PARTY WITHOUT THE WRITTEN CONSENT OF THE PROPRIETORS. REL. ON : 20/04/2005

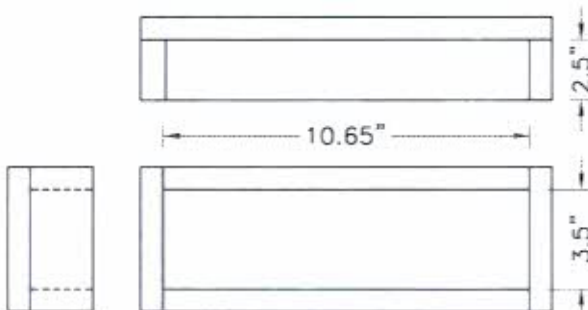


**SMR END SUPPORT**

**MATERIAL :** PROFEEL 20mm THICK

**QUANTITY :** 2 Nos.

**NOTE :** PARFEEL PCS. ARE TO BE SECURELY PASTED/JOINED USING FEVICOL MAKE SUITABLE ADHESIVE



**MATERIAL:**

**CARDBOARD BOX :**

**OUTER 2 LAYERS :** CLASS A VIRGIN CRAFT PAPER 150GSM  
**INNER 5 LAYERS :** COMMERCIAL CRAFT PAPER 150GSM

**NOTE:**

- DIMENSIONS GIVEN ARE INNER BOX SIZES.
- SMR END SUPPORT SHOWN IN DWG. QTY 2 Nos IS TO BE SUPPLIED WITH BOX.

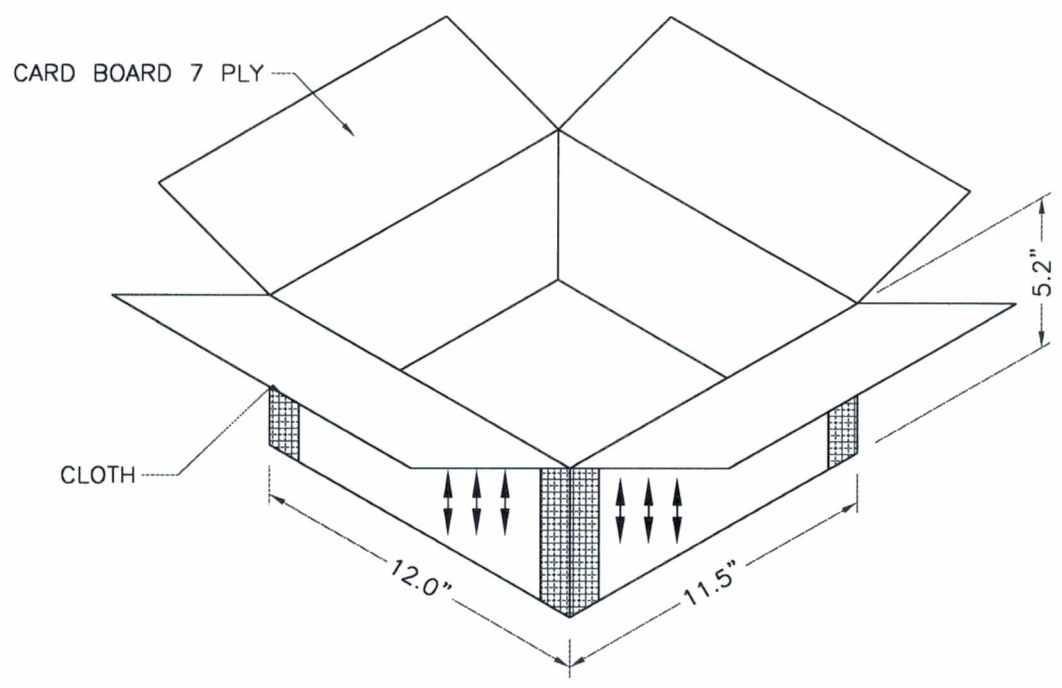
<b>PUNCOM</b>	Punjab Communications Limited	USED IN	R&C
		SIGNATURE	DATE
		DRAWN	SIYAM 21/8/18
		CHECKED	25/8/18
		DH	25/8/18
		APPD	22/8/18
		TOL	SCALE
		±0.2	N T S
		DIM IN INCH	SIZE-A4

TITLE:-  
**CORRUGATED BOX SMR**

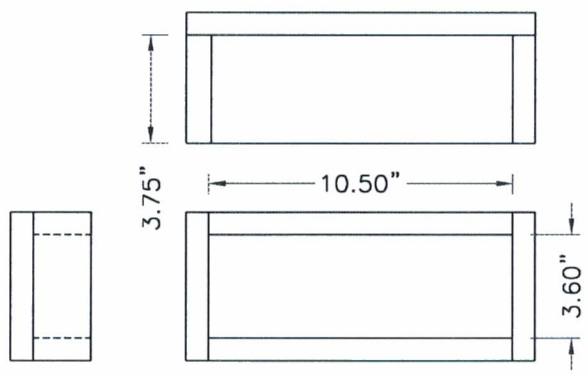
---	---	---	---
MATERIAL	SPEC.	FINISH	SPEC.

4344 DRG No. MZZXXX434401A2

THIS DOCUMENT IS THE PROPERTY OF PUNJAB COMMUNICATIONS LIMITED, B-91, IND. AREA, PHASE-8, S.A.S NAGAR-160059 (INDIA) AND MAY NOT BE COPIED, REPRINTED OR DISCLOSED TO A THIRD PARTY WITHOUT THE WRITTEN CONSENT OF THE PROPRIETORS.

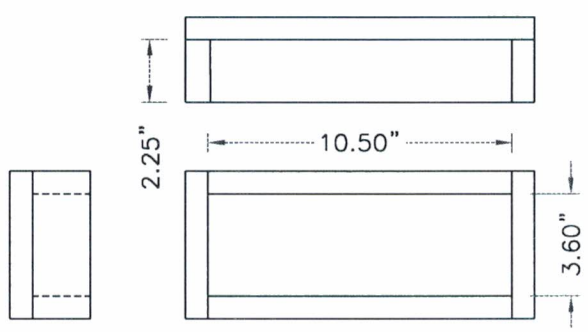


**END SUPPORT CONN SIDE**  
**MATERIAL :** PROFEEL 20mm THICK  
**QUANTITY :** 1 No  
**NOTE :** PARFEEL PCS. ARE TO BE SECURELY PASTED/JOINED USING FEVICOL MAKE SUITABLE ADHESIVE



DIRECTION OF FLUTE  
AS PER INDICATE ARROW

**END SUPPORT PLATE SIDE**  
**MATERIAL :** PROFEEL 20mm THICK  
**QUANTITY :** 1 No  
**NOTE :** PARFEEL PCS. ARE TO BE SECURELY PASTED/JOINED USING FEVICOL MAKE SUITABLE ADHESIVE



**MATERIAL:**  
**CORRUGATED BOX :**  
**OUTER 2 LAYERS :** CLASS A VIRGIN CRAFT PAPER 150GSM  
**INNER 5 LAYERS :** COMMERCIAL CRAFT PAPER 150GSM

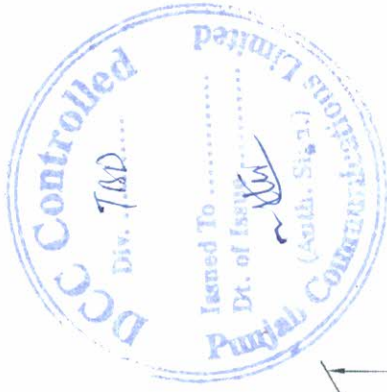
- NOTE:**
- DIMENSIONS GIVEN ARE INNER BOX DIMENSIONS.
  - CARD END SUPPORTS SHOWN IN DWG. QTY 1 EACH IS TO BE SUPPLIED WITH ONE BOX.

<b>PUNCOM</b>	Punjab Communications Limited	USED IN	R&C
		SIGNATURE	DATE
DRAWN	STAYAM	21/5/19	
CHECKED	KRISHNA	21/5/19	
DH		21/5/19	
APPD		21/5/19	
TOL. ±0.2		SCALE N T S	
		DIM IN INCH	SIZE-A4

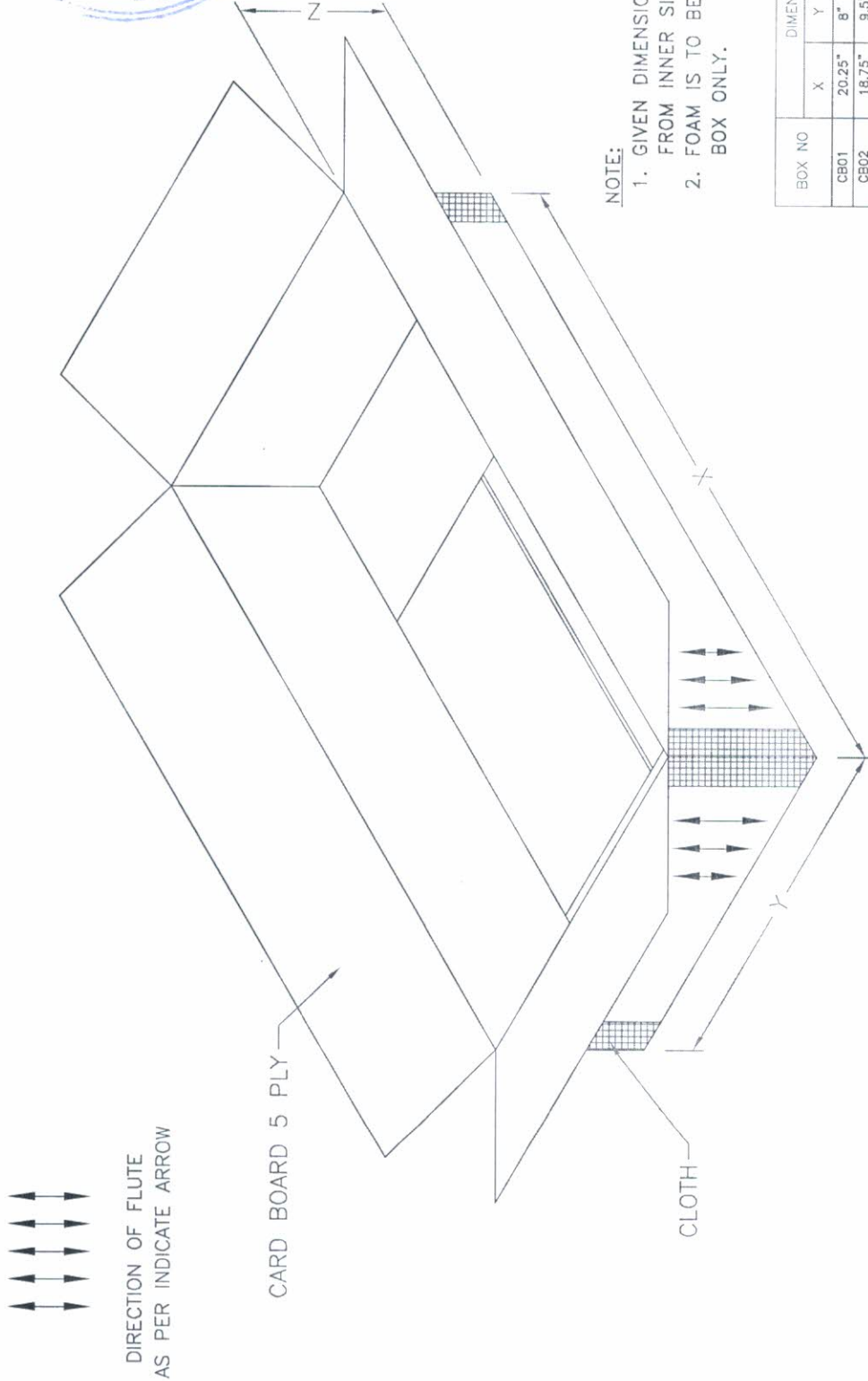
MATERIAL	SPEC.	FINISH	SPEC.
---	---	---	---

TITLE:- **CORRUGATED BOX PSU/PAMP PLCC**  
 4359 DRG No. MZZXXX435901A2

SHEET 1 OF 1  
ISSUE  
1121-12-2020



**CONTROLLED**



**NOTE:**

1. GIVEN DIMENSIONS OF BOX ARE AS MEASURED FROM INNER SIDE.
2. FOAM IS TO BE SECURELY PASTED INSIDE CB03 BOX ONLY.

BOX NO	DIMENSIONS			USED FOR BOX	
	X	Y	Z	DRAWN	PACKING
CB01	20.25"	8"	4.5"	TRE/TWA/MTWE/RPE	SIGNATURE
CB02	18.75"	9.5"	5"	CRE	CHECKED
CB03	20"	12"	6"	LTE	DH

<b>PUNCOM</b> <sup>®</sup>		Punjab Communications limited	
TITLE:-		CORRUGATED BOX	
4410	DRG No.	MZZXXX441001A2	
MATERIAL		SPEC.	FINISH
-----		-----	-----

**TOLERANCE**

GEN TOL. - ±0.05

- MATERIAL:**
1. CARDBOARD BOX : SEMI CRAFT PAPER 100GSM 16+ BF (BURST STRENGTH).
  2. FOAM : HIGH DENSITY PU FOAM 12mm THICK, DENSITY 28 (FOR CB03 ONLY)

USED IN	PACKING	SIGNATURE	DATE
APPD	TOL.	Mangt	05/07/20
SCALE	N T S	5/7/20	
DIM IN .inch		SIZE-A4	